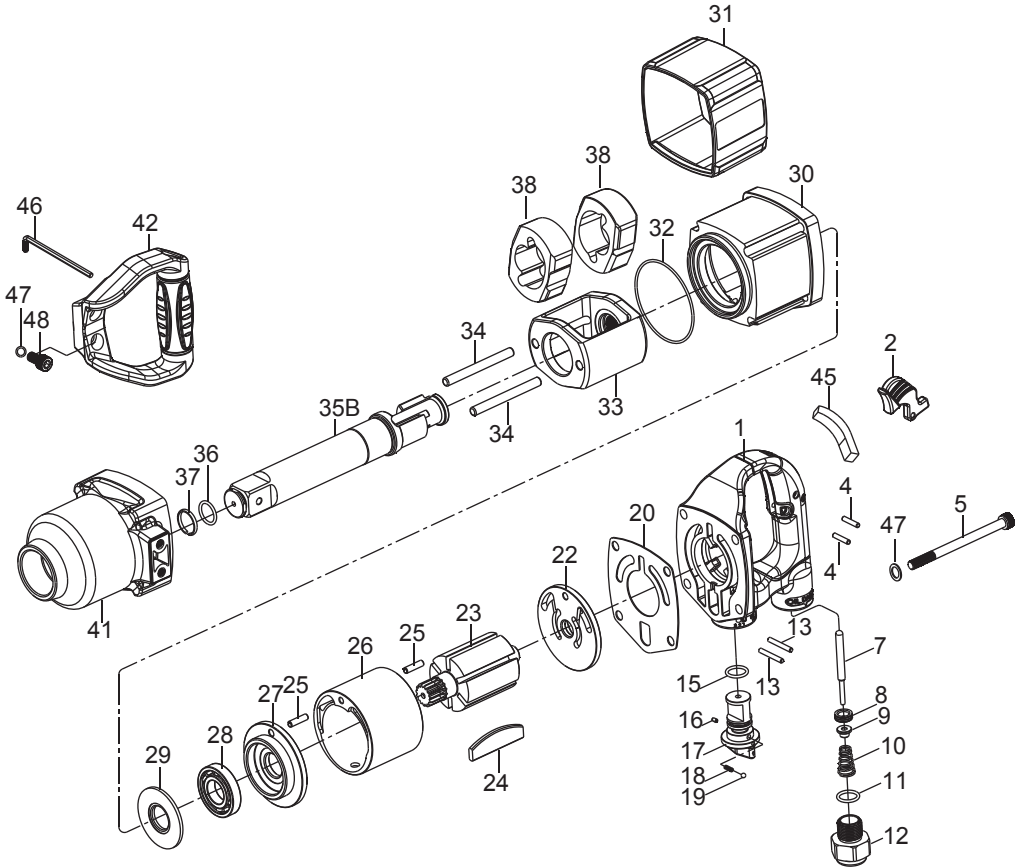


155-26464 1" DR. MINI PLUS IMPACT WRENCH-6"ANVIL



INDEX NO.	DESCRIPTION	REQ'D NO.	INDEX NO.	DESCRIPTION	REQ'D NO.
1	Backhead Assembly	1	26	Cylinder	1
2	Trigger	1	27	End Plate	1
4	Pin	2	28	Bearing	1
5	Screw	4	29	Washer	1
7	Valve Stem	1	30	Housing	1
8	Throttle Valve Seat	1	31	Rubber Grip	1
9	Throttle Valve	1	32	O-Ring	1
10	Spring	1	33	Hammer Frame	1
11	O-Ring	1	34	Hammer Pin	2
12	Air Inlet	1	35B	6" Extended Anvil Assembly (incl.36.37)	1
13	Spring Pin	2	● 36	O-Ring	1
15	O-Ring	1	● 37	Socket Retainer	1
16	Pin	1	38	Hammer	2
17	Reverse Valve	1	41	Hammer Case Assembly	1
18	Spring	1	42	Side Spade Handle	1
19	Steel Ball	1	45	Rubber Cap	1
20	Gasket	1	46	Hex Key Wrench	1
22	End Plate Assembly	1	47	Washer	6
23	Rotor	1	48	Screw	2
24	Rotor Blade	6	TK	Tune-Up Kit { incl. 10.11.15.18.19.20.24 (6) .32.36.37 }	1
25	Spring Pin	2			

● Recommended not to be purchased alone due to assembly difficulty

20151203R1